

Module

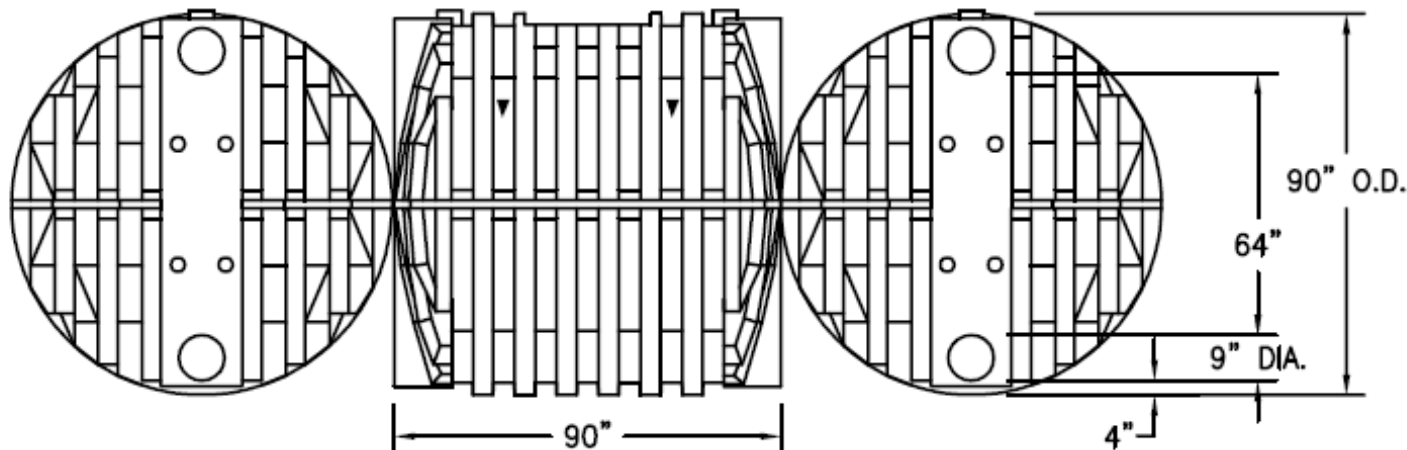
Polyethylene OcTank Module

- 2000 gallon nominal capacity
- Suitable for potable water
- NSF 61- listed high density polyethylene potable water approved resin
- Light gray color
- May be dry buried, no need to add water during backfill
- Typical soil cover depth 36"
- Empty ship weight 800 pounds per module

Price: \$2,600 + Freight

Installation Details

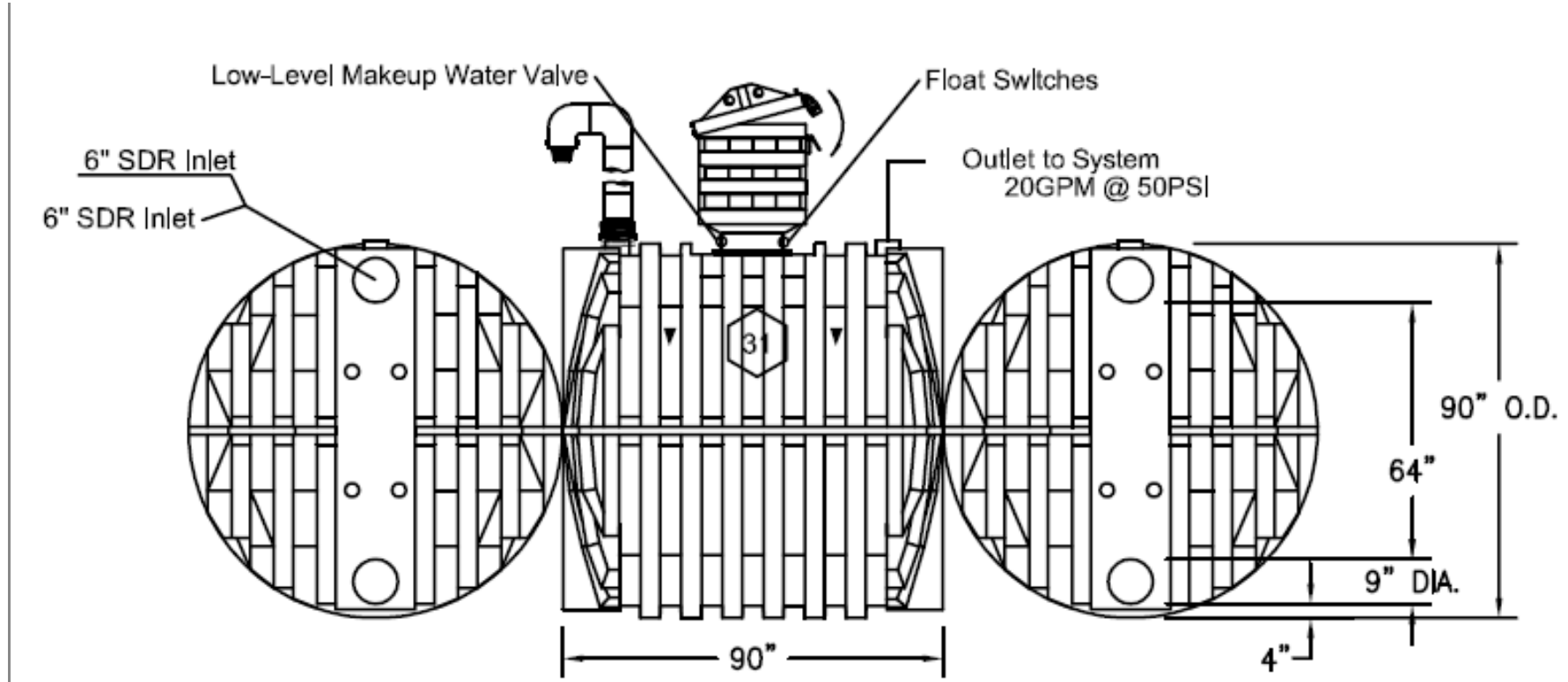
- Each module includes one 18" spool access riser with bolted cover, intended for burial
- Installation requires a gravel bed and backfill to top of tank, followed by a soil cover and mound at grade
- Avoid wet locations unless using deadman anchors or a bed subdrain to daylight



Complete Rain Capture System

- Includes tank, pump, manway, vent, filter assembly and makeup water valve
- Inflow capacity 200 gal / min.
- Includes low level float valve for minimum automatic water level maintenance
- Low level switch protects pump
- Inlet 6 inch SDR-35 PVC pipe
- No top interconnect required

Price: \$4,950.00 / Complete plus freight

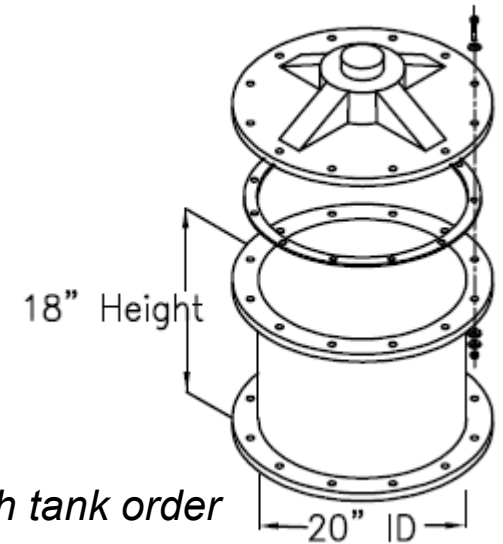


Riser Spool

20 inch I.D. manway extension

- Each stackable flanged riser segment is 18 inches tall
- Gray color, UV stable resin
- Includes all bolts and gasket
- Stainless steel & brass hardware
- Can be shipped individually by UPS

Price: \$250.00 for each 18" section / Freight additional if not shipped with tank order

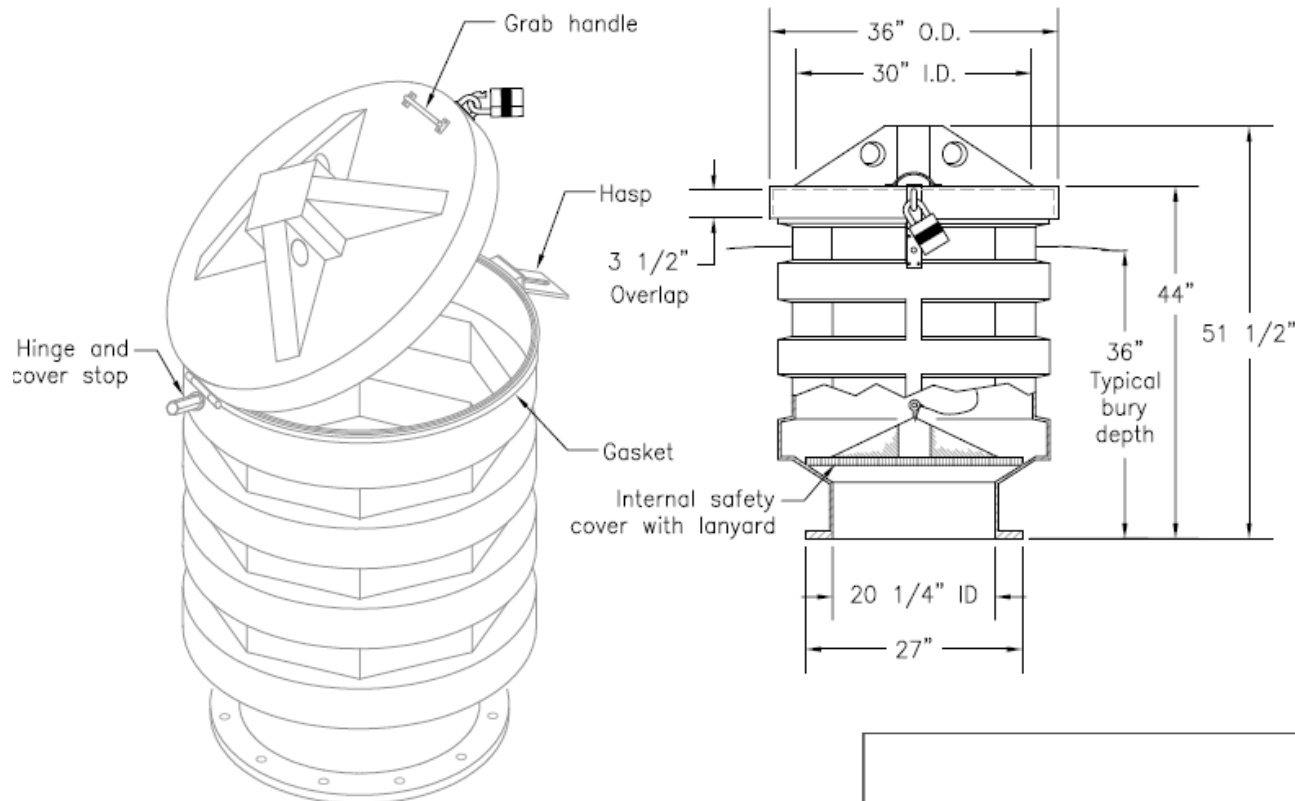


Manway

Standard 20" x 30" polyethylene manway extension for 36 inch bury depth below grade

- Overlapping hinged cover with padlock hasp Gray color, UV stabile resin
- Tank entry is 20 inches ID
- Upper portion inside diameter is 30 inches for shoulder room and easy access
- Potable version Includes internal rubber dust seal and safety cover

Price: \$385.00 / (includes \$329 credit for spool and cover)

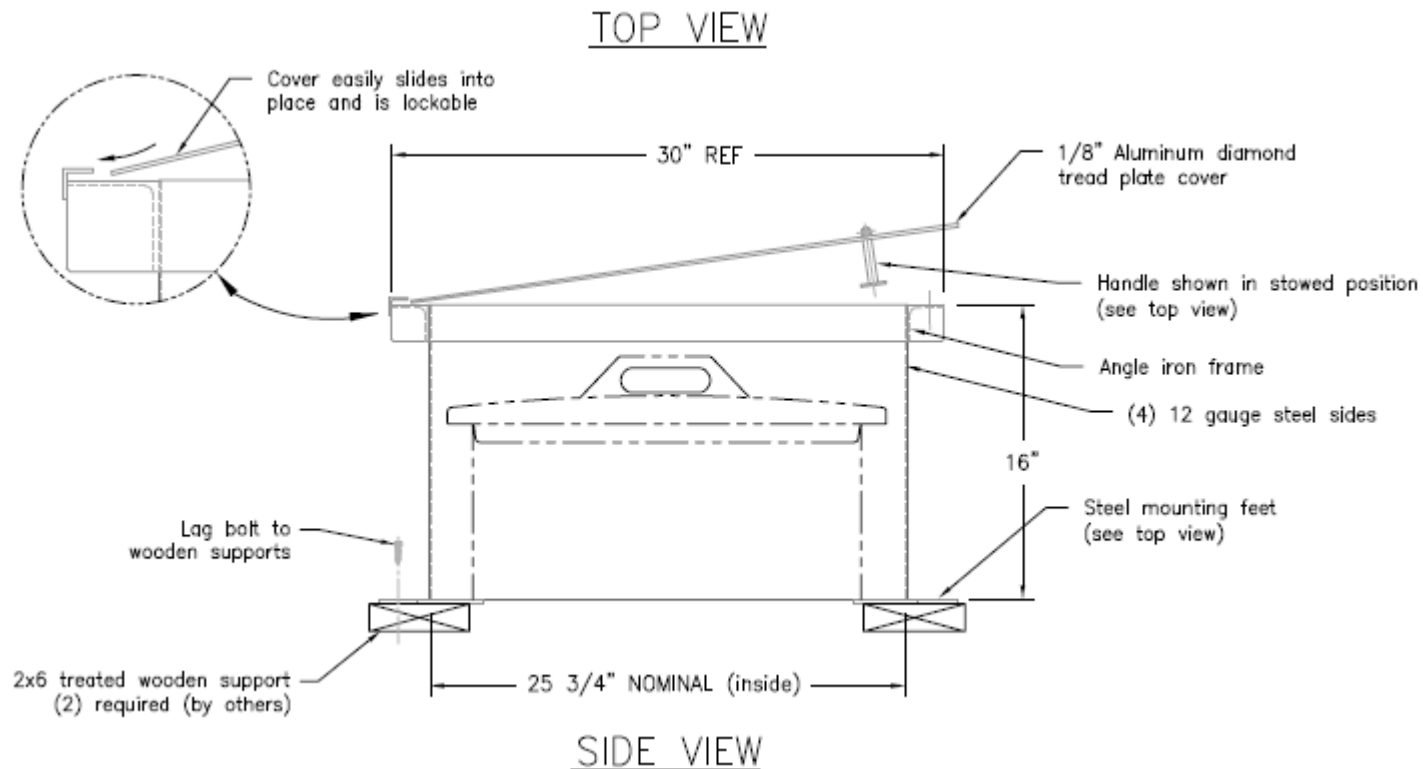


Grade Box

Lockable grade box with aluminum treadbright cover

- 26" X 26" square opening, fits over spool riser
- Ideal for landscaped areas
- Choose either internal bolted cover or easy open poly plug cover
- Not automobile traffic rated
- Aluminum cover, drop down handle, and holes for padlock

Price: \$450.00 / Freight additional if not shipped along with tank order

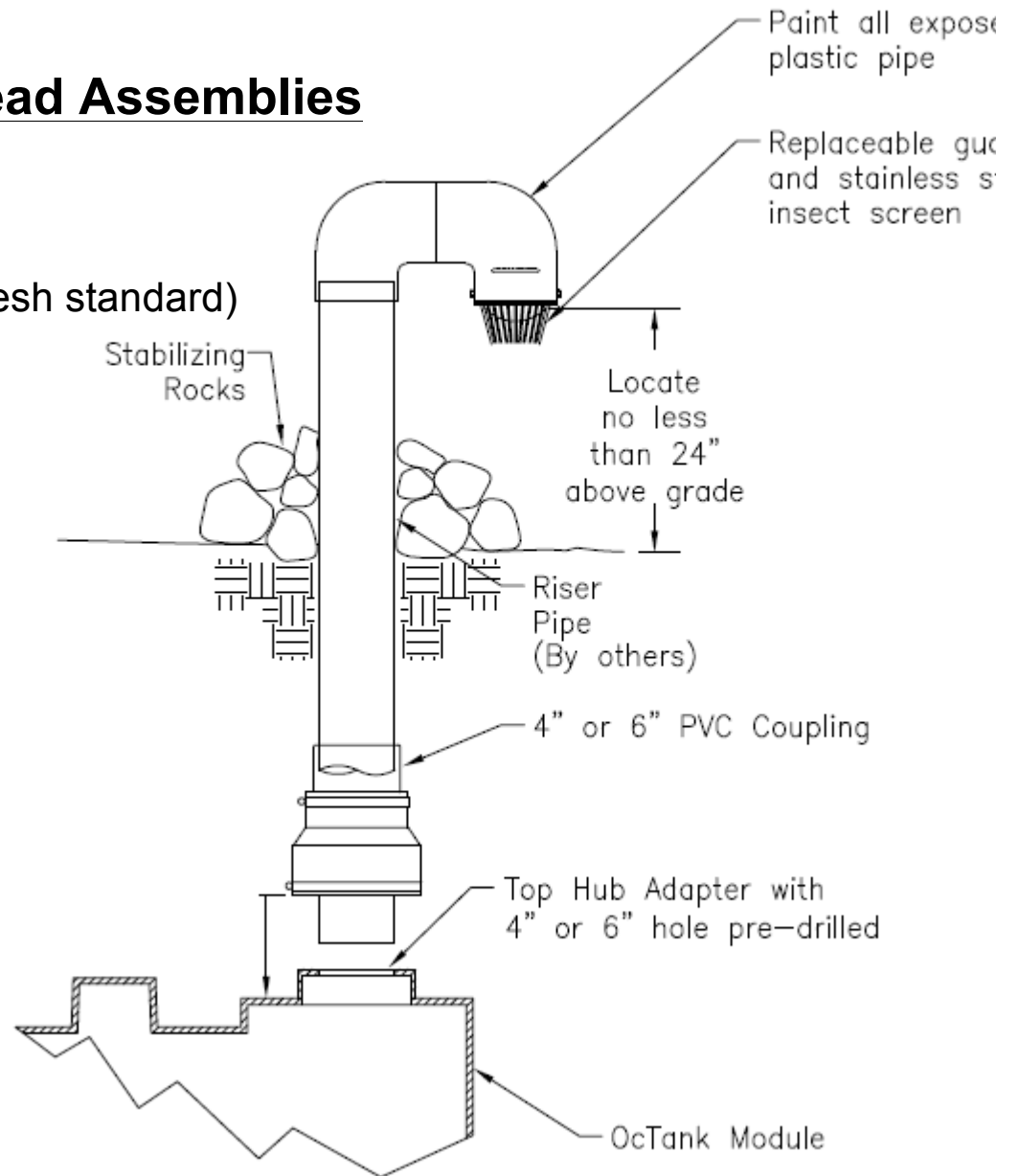


Vent Head Assemblies

4 inch or 6 inch PVC

- Stainless steel insect screen inside (8 mesh standard)
- Slotted external poly guard
- Includes top hub tank adapter
- PVC riser pipe by others

*Price: \$190.00 4 inch price
\$220.00 6 inch price*



Vent Head Assemblies

2 Inch Vent

- Mounts on hinged manway or spool with bolted cover
- Includes 2 inch bolt-in fitting
- Stainless steel insect screen
- Louvered plastic guard
- PVC riser pipe by others if increased height is needed

Price: \$90.00



Overflow Assembly

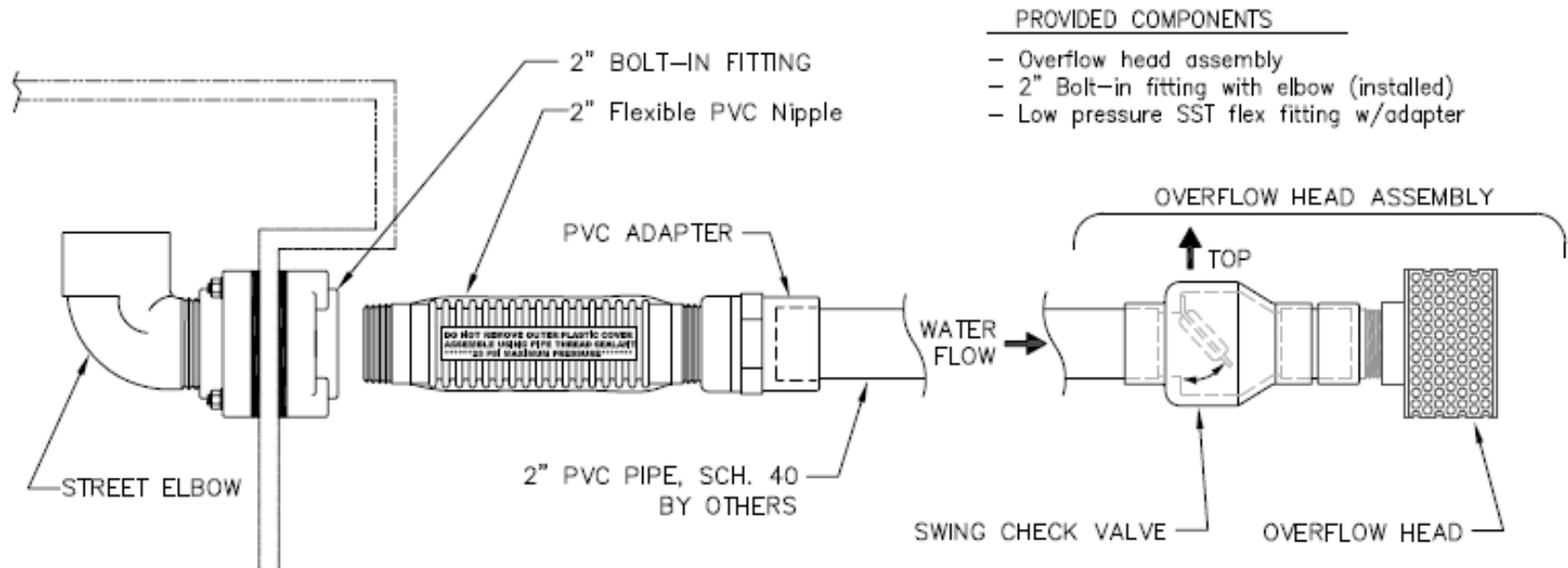
- Diverts excess water to remote daylight discharge
- Maintains air space at top of tank
- Includes swing check valve & galvanized steel rodent guard
- Includes flex nipple or fitting at tank
- PVC piping run by others

Price: \$230.00 2 inch price

\$340.00 4 inch price

\$580.00 6 inch price

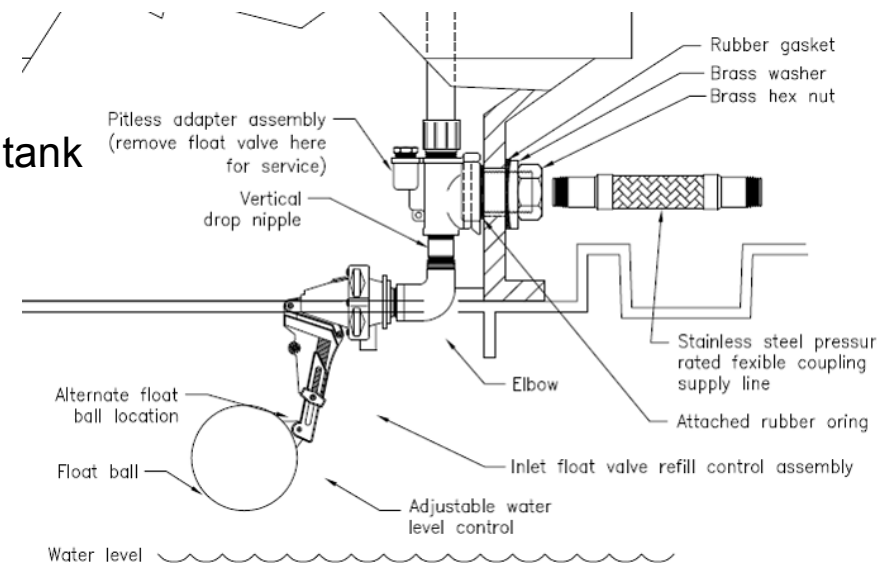
\$860.00 8 inch price



Float Valve Assembly

- Maintains full tank level
- Manway mount on one inch brass pitless adapter
- Adjustable float arm for proper air space at top of tank
- Includes 1" feed line stainless flex nipple
- Install to meet plumbing code
- Requires field assembly

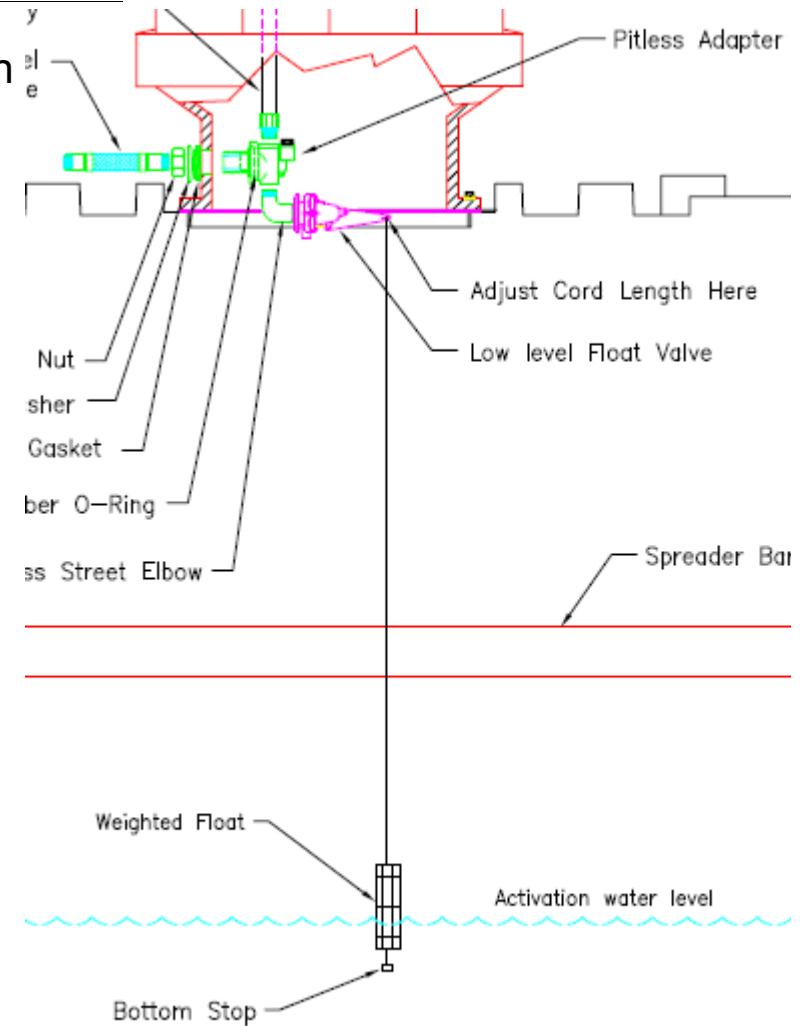
Price: \$298.00



Low-Level Float Valve

- Maintains minimum water level for proper tank function
- Manway mount on one inch brass pitless adapter
- Infinitely Adjustable Float
- Includes 1" feed line stainless flex nipple
- Install to meet plumbing code
- Requires field assembly

Price: \$348.00

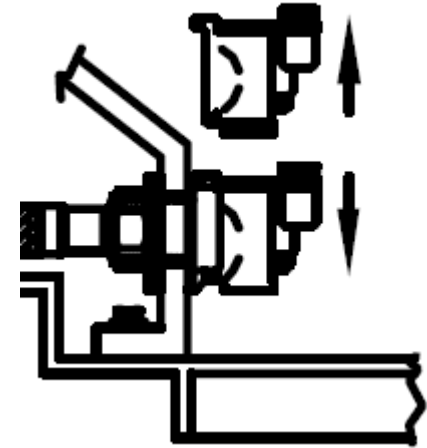


Pitless Adapters

- Install in manway or spool just above the module
- Rated at 75 PSI working pressure
- Includes stainless steel flex nipple
- Makes pump or other accessory removable from above-ground

Price: \$181.00 1-inch size

\$386.00 2-inch size



Float Tree & Float Switch Assembly

- Sliding adjustable float position design
- Includes mounts
- Used to control pumping functions - up or down
- Includes one - 3 wire, 12 amp, non-mercury, SP/DT switch
- Field assembly required

Price: \$195.00

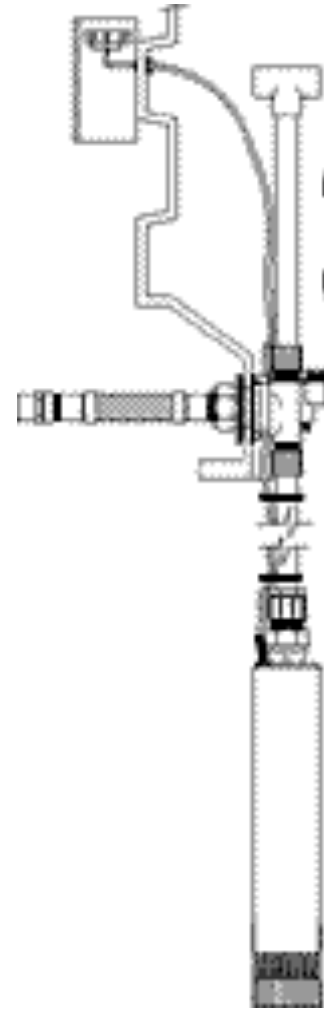
Additional switches \$69.00



Submersible Pump

- 120 VAC - 1/2 HP - 50 PSI - 20 GPM discharge capacity
- Pump package includes 1 inch pitless adapter in manway
- Lift up on T-handle to easily remove pump from tank
- Includes 1" SS flex nipple
- Suitable for household use and irrigation systems
- Includes low-level protection

Price: \$759.00



Sump Pump

- 120 VAC - 3/4 HP - 80 GPM at 10 feet of head
- Includes 2 inch quick coupler for manway collar
- Lift up on coupler to easily remove pump from tank
- Includes 2 " SS flex nipple
- Includes float switch
- Suitable for dewatering or perimeter drain applications

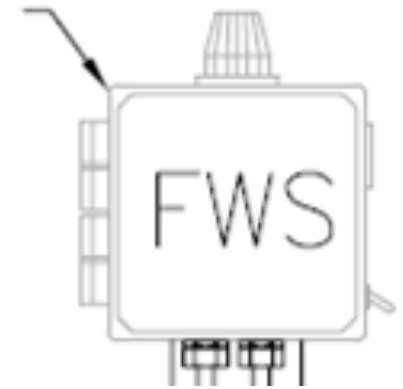
Price: \$588.00

Alarm Panel

- May be used for high-level or low-level
- 120 VAC power required
- Plastic weather tight alarm box mounts by tank or inside building
- Red light and alarm buzzer
- Alarm silence switch on outside of box
- Includes one float tree kit with one universal float switch
- Field assembly required

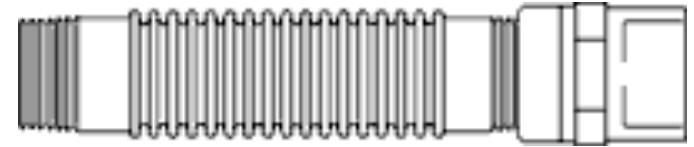
Price: \$388.00

Tank level alarm



Stainless Steel Flexible Nipples

- NPT-M threads for water inlet/outlet fittings
- Braided Stainless Steel
- Rated at 75PSI working pressure



Price: \$78.00 1" - braided / rated at 75 psi working pressure

\$129.00 2" - braided / 75 psi

Tank Adapters

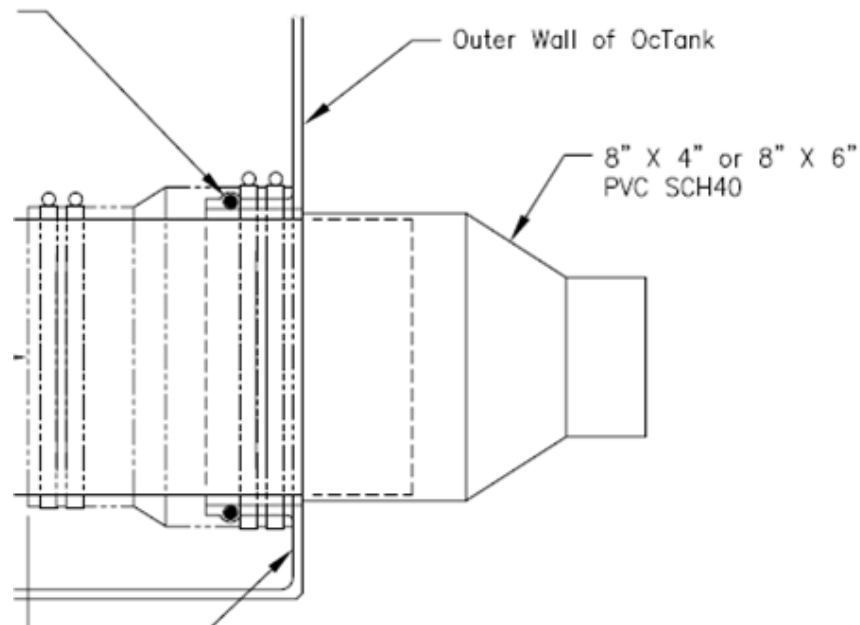
For top or bottom connections as an inlet or discharge

- 4", 6", or 8" schedule 40 PVC pipeline connection sizes
- Includes rubber sealing sleeve & stainless steel twin clamps
- Adapters are rubber and eliminate the need for flexible couplings at these fitting points

Price: \$200.00 4" PVC socket

\$160.00 6" PVC socket

\$112.00 8" PVC pipe stub

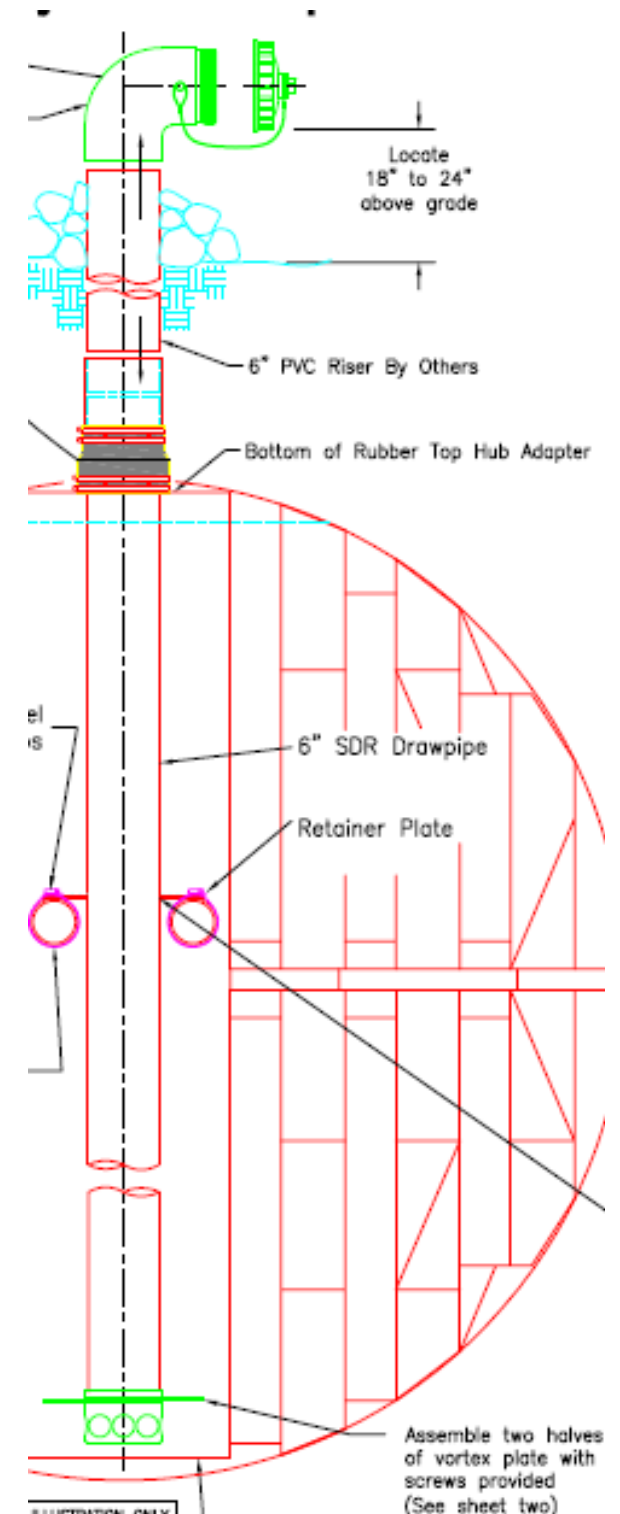


Dry Hydrant Assembly

6-inch NST- Male dry fire hydrant for Fire Service suction drafting

- Includes metal cap & lanyard
- Removable plastic strainer
- 90, 45, or straight sch. 40 PVC top fitting angle choice
- Includes anti-vortex plate at foot of 6" PVC drawpipe per NFPA
- Includes top hub tank adapter
- Some field assembly required
- 6 inch PVC riser pipe by others

Price: \$788.00



Top Hub Accessory Adapter

- Choose either 4 or 6 inch sch. 40 PVC vertical riser pipe size
- Includes PVC socket coupling above rubber tank seal
- Includes stainless clamps
- PVC riser pipe by others

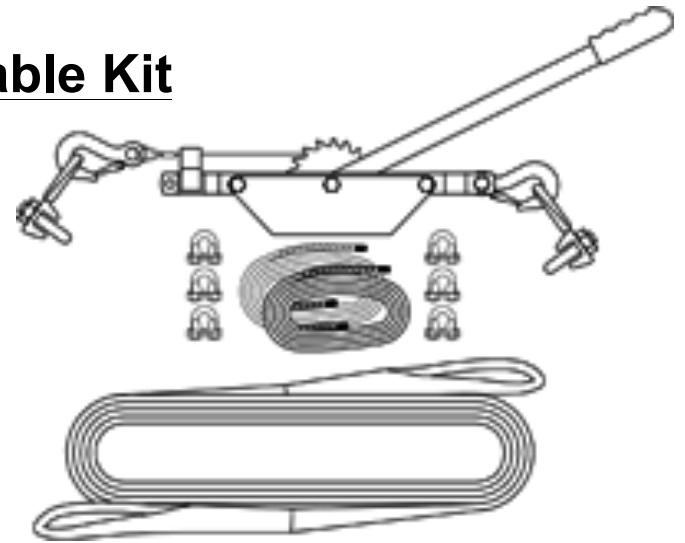
Price: \$64.00 4" size

\$72.00 6" size

Anti-Buoyancy Anchor Cable Kit

- One kit required per module
- Includes 4 steel 3/8" cables with 8 cable clamps
- Includes 2 polyester anchor straps
- Includes reusable cable tensioning tool (1 per order)

Price: \$480.00 Per Module



Rainwater Clarifier Package

- Includes 1 OcTank module and manway assembly as illustrated
- 200 gallons per minute maximum inlet flow capacity
- Bypass or overflow excess incoming water to remote location
- Includes easily removable internal mesh debris basket and washable poly filter pack
- Inlet pipe stub for 6 inch SDR 35 PVC roof leader hook-up
- Includes 4" vent assembly (not in illustration)
- No top interconnect normally installed with this package

Price: \$4100.00 / Complete Unit

External Debris Basket

- Adjustable riser for proper grade
- Locate in line between downspout and storage tank
- Basket easily removable for cleaning
- Accepts smooth bore 4" or 6" PVC pipe
- Field preparation and assembly required
- 4" or 6" rubber connection sleeves and hose clamps by others
- May be extended up to 24 inches vertically for deeper bury

Price: \$460.00 / Freight additional if not shipped with tank order

\$75.00 Additional for 24 inch Extra Depth Extension to 48" cover depth

