

TO _____ FIRM _____ PROJECT _____ QUOTE # _____ DATE _____
 PHONE _____ FAX _____ EMAIL _____ SITE LOCATION _____ COUNTY _____
 MODULES _____ NOM. CAPACITY _____ NOM. WEIGHT _____ POTABLE _____ NON-POTABLE _____ USE _____

INCLUDED IN THIS POLYETHYLENE UNDERGROUND TANK QUOTATION

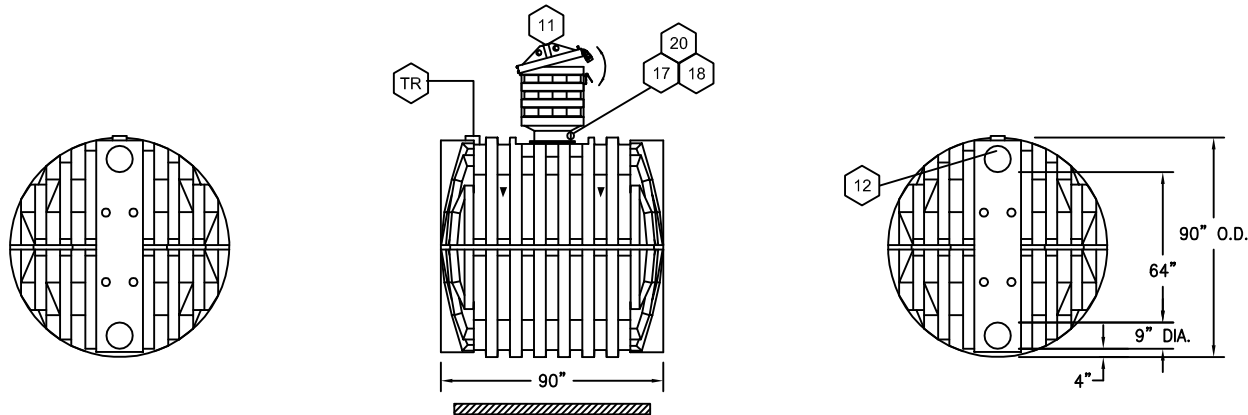
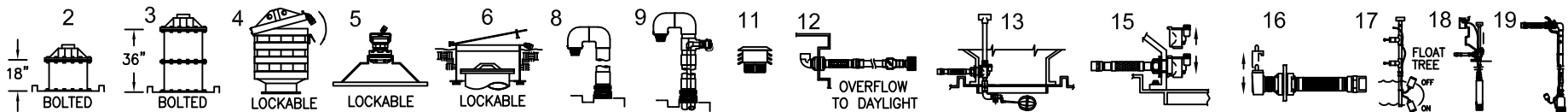
PREPAID PRICE

4 - 20"-30"D X 36"T Manway - hinged cover 18 - Submersible Pump - bottom-suction \$ _____ TAX _____ DEPOSIT _____
 11 - 2" Vent on Manway Cover - screened - 20GPM @ 50PSI/110 VoltsAC FREIGHT DETAILS _____
 12 - 2" Overflow Assembly - run to daylight - controlled by pressure system DELIVERY: _____ WEEKS FROM ORDER ACCEPTANCE
 17 - Float Switch - low-level pump cutoff TR - 4" PVC Standpipe- for tanker refill **EXCLUDED IN THIS PRICE QUOTATION**
 20 - Low-Level Alarm Panel - _____
 - includes red light and buzzer - _____

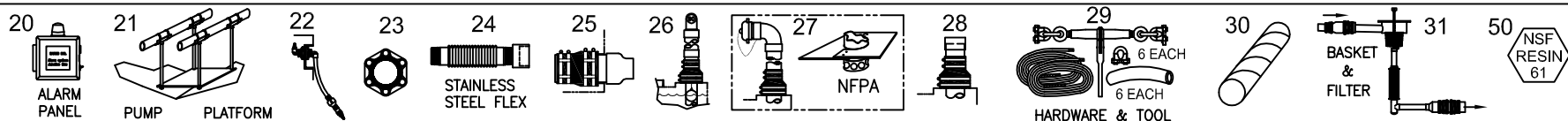
BURY DETAILS 36" Typical Cover Depth WATER SOURCE Tanker
 ANTIBUOYANCY TBD APPROVALS _____

COMMENTS: Preliminary Design VFR Pump Drive available - \$ 1000 Complete

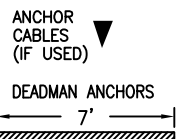
1. INSPECTION, ACCEPTANCE, AND OFFLOAD
2. INSTALLATION MATERIALS AND LABOR
3. UNSPECIFIED PIPE, VALVES, AND FITTINGS
4. PUMPS, CONTROLS, AND LEVEL SENSORS
5. WIRE ROPE, CLAMPS, DEADMAN ANCHOR FORMS
6. _____



IMPORTANT
 THE TANK AND ACCESSORIES DEPICTED HERE MAY **NOT** MEET THE REQUIREMENTS OF THE JURISDICTION HAVING AUTHORITY OR THE ENGINEERED JOB SPECIFICATIONS
PLEASE CONFIRM COMPLIANCE BEFORE ORDERING



NOTES:



IMPORTANT: REVIEW FWS STRUCTURAL SPECIFICATIONS AND LIMITED WARRANTY BEFORE APPROVAL / GRAVEL BED AND 100% GRAVEL ENCAPSULATION REQUIRED / MAXIMUM BURY DEPTH FOR STANDARD POLYETHYLENE VESSELS IS 3 FEET / SEE FWS WEB SITE FOR INSTALLATION DETAILS AND APPROVED MATERIALS / FIRE SERVICE DESIGNS MUST HAVE PRIOR FIRE DEPARTMENT APPROVAL / FWS FACTORY QUOTES ARE HONORED FOR **30 DAYS** ONLY
DESIGN APPROVED - Signature: _____ **Date:** _____

FWS POLYETHYLENE OCTANK - 2K (2000 Gal.)

Rev Date _____ Rev. No. _____

FWS, 7140 West 16th Ave, Lakewood CO 80214
 303-921-1186/ Fax 866-715-8547

X XXX
 XX TYP B, C