

TO \_\_\_\_\_ FIRM \_\_\_\_\_ PROJECT \_\_\_\_\_ QUOTE # \_\_\_\_\_ DATE \_\_\_\_\_  
 PHONE \_\_\_\_\_ FAX \_\_\_\_\_ EMAIL \_\_\_\_\_ SITE LOCATION \_\_\_\_\_ COUNTY \_\_\_\_\_  
 MODULES 1 NOM. CAPACITY 2,000 NOM. WEIGHT 800# POTABLE \_\_\_\_\_ NON-POTABLE \_\_\_\_\_ USE \_\_\_\_\_

**INCLUDED IN THIS POLYETHYLENE UNDERGROUND TANK QUOTATION**

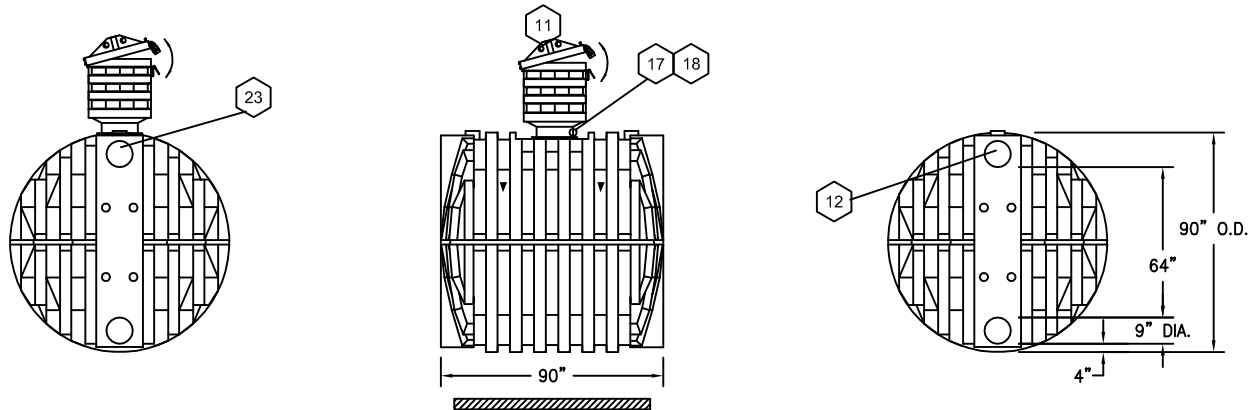
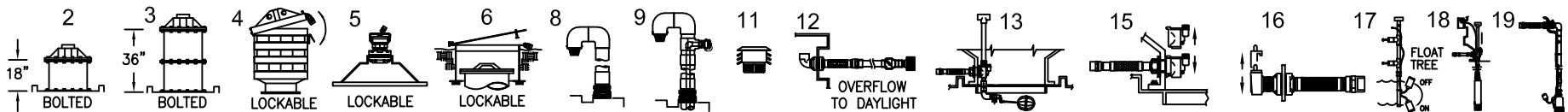
**PREPAID PRICE**

4 - 20-30"D X 36"T Manway- NP-hinged cover - \_\_\_\_\_ \$ \_\_\_\_\_ TAX \_\_\_\_\_ DEPOSIT \_\_\_\_\_  
 11 - 2" Vent on Manway Cover - screened 18 - Submersible Pump - bottom suction FREIGHT DETAILS \_\_\_\_\_  
 12 - 2" Overflow Assy - run to daylight - 20 GPM @ 50 PSI/110 or 220 Volts DELIVERY: \_\_\_\_\_ WEEKS FROM ORDER ACCEPTANCE  
 17 - PVC Float Switch Tree - 2 Switches - controlled by pressure system **EXCLUDED IN THIS PRICE QUOTATION**  
 - turns well pump ON/OFF - low-level shutdown -  
 - PT - PT WiFi-enabled Water Level Sensor

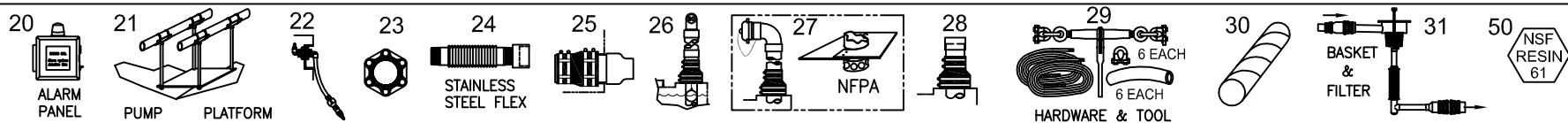
BURY DETAILS 36" Typical Cover Depth WATER SOURCE well  
 ANTIBUOYANCY TBD APPROVALS \_\_\_\_\_

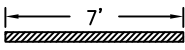
**COMMENTS:** Preliminary Drawing

1. INSPECTION, ACCEPTANCE, AND OFFLOAD
2. INSTALLATION MATERIALS AND LABOR
3. UNSPECIFIED PIPE, VALVES, AND FITTINGS
4. PUMPS, CONTROLS, AND LEVEL SENSORS
5. WIRE ROPE, CLAMPS, DEADMAN ANCHOR FORMS
6. \_\_\_\_\_



**IMPORTANT**  
 THE TANK AND ACCESSORIES DEPICTED HERE MAY **NOT** MEET THE REQUIREMENTS OF THE JURISDICTION HAVING AUTHORITY OR THE ENGINEERED JOB SPECIFICATIONS  
**PLEASE CONFIRM COMPLIANCE BEFORE ORDERING**



**NOTES:**  
 ANCHOR CABLES (IF USED)  
 DEADMAN ANCHORS  


**IMPORTANT:** REVIEW FWS STRUCTURAL SPECIFICATIONS AND LIMITED WARRANTY BEFORE APPROVAL / GRAVEL BED AND 100% GRAVEL ENCAPSULATION REQUIRED / TYPICAL BURY DEPTH FOR STANDARD POLYETHYLENE VESSELS IS 3 FEET / SEE FWS WEB SITE FOR INSTALLATION DETAILS AND APPROVED MATERIALS / FIRE SERVICE DESIGNS MUST HAVE PRIOR FIRE DEPARTMENT APPROVAL / FWS FACTORY QUOTES ARE HONORED FOR **30 DAYS** ONLY  
**DESIGN APPROVED - Signature:** \_\_\_\_\_ **Date:** \_\_\_\_\_

**POLYETHYLENE OCTANK - 2K (2000 Gal.)**  
 Rev Date \_\_\_\_\_ xxx \_\_\_\_\_ Rev. No. \_\_\_\_\_  
 FreeWater Systems, LLC 303-921-1186  
 freewatersystems.com Lakewood CO

X XXX  
 XX TYP B, C